

U R B A N



800x3000mm
15mm Thickness



**Surfaces that
resonate with
excellence**

INTRODUCTION

The success of a brand lies in its ability to evolve and stand ahead of its time with a pioneering vision. Our and its exceptional offering is a result of vision, demand, and objective of delivering products that add iconic values to the spaces of customers. It is also a passionate endeavor encouraged and inspired by the efforts of sustainability for a better tomorrow.

Our believes in delivering an experience beyond excellence and thus is bringing revolutionary products to the market backed by advanced technology. We believe in leading with innovations to make a remarkable impact in the lifestyle industry.



LEADING WITH INNOVATIONS

Our brings first time in India - Largest size slabs with automised powder decoration.

We are facilitated with High Resolution Digital Technology from Italy.

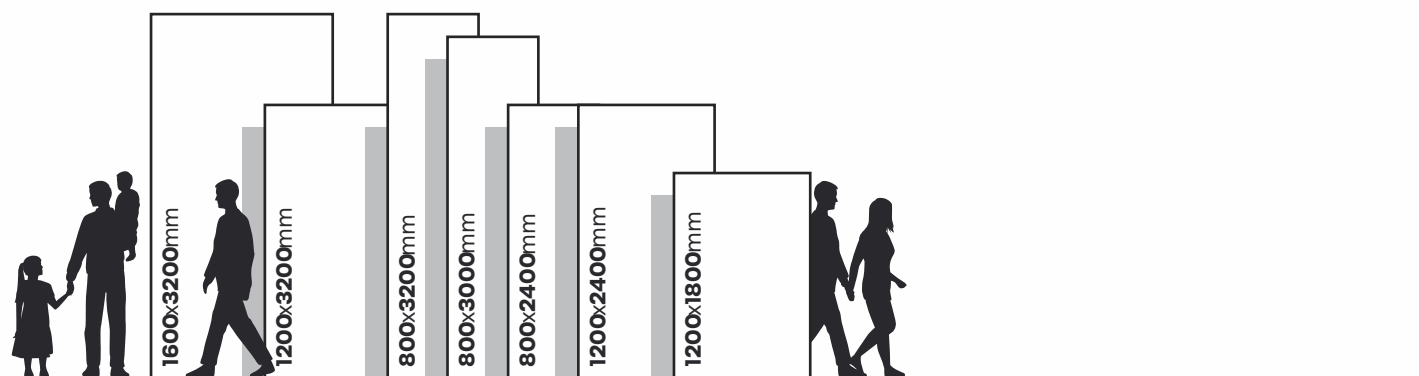
We have eco-friendly plant architecture with methodical plantation.

Our manufacturing plant is furnished with an in-house township.

Our unmatched quality is the result of in-house research and test lab conducting enhanced quality checks.

We have an advanced assembly of robotics automated product handling

INTRODUCTION



**Surfaces for
decorous
ambience**

We believe in living life king size and with this belief, we offer grand-sized surfaces to create larger-than-life spaces that deliver a sense of surrealism and luxury.



**SURFACE
MATT**

THE MARVELLOUS MILAGRO SURFACE

The Our Surfaces encompass the spirit of sophistication and effortless elegance in their graceful semblance. The tiles of this collection dress-up places with eternal charm and style.

IMAGINE YOUR SPACE WITH SEAMLESS POSSIBILITIES

Think big and different with the our. The Our Surface of this collection adds a distinctive character to a place with its grand size of 800x3000mm, the durable thickness of 15mm, and the many enchanting designs.

The our Surface of the our Collection is available in matt finish and five aesthetically rich color bodies to enrich the ambience of any space. These tiles are designed to create an environment people can't take their eyes off.

Types of Body



**BIG
SIZE
SLABS**

**800x
3000mm**

80x300cm,
31.50x118in

**15mm
Thickness**

The 15mm thickness of the surfaces assures that spaces are sturdy, durable, and resilient with their toughness. These surfaces allow you to enjoy your spaces without worry.



SURFACES THAT BRING DESIGN VISION TO LIFE

The Our Surface transforms the perspective of design with its attractive style.

The ever-elegant appeal of the matt finish and the jaw-dropping designs of the our Surfaces can fabricate any space ever imagined. Their modish style and suave aura are perfect to embellish different parts of a room to give it a contemporary feel. These tiles are ideal for applications on staircases, countertops, furniture, fireplace, and much more.

APPLICATION AREAS



Countertop



Staircase



Dining tabletop



Window & Door Frame



Lift Frame



Basin & Furniture



Bathroom



Fireplace



Worktop



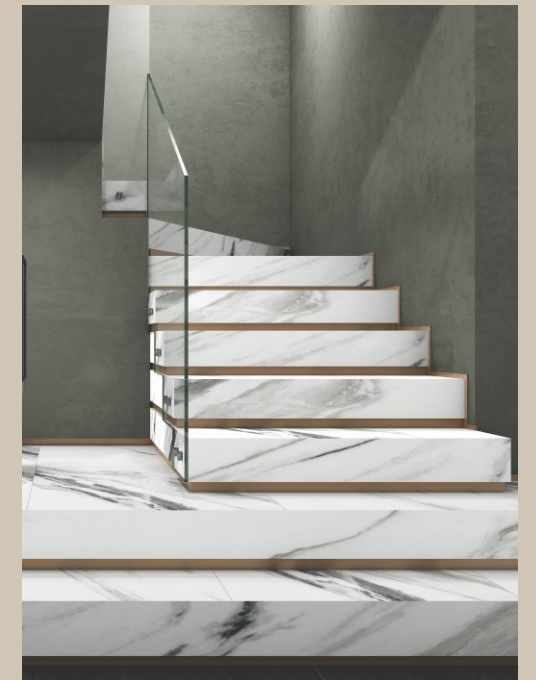
Wall Cladding



Elevation



Floor Covering



FABRICATE COMFORTABLE LIFESTYLE

A modern space requires surfaces that are aesthetically beautiful and highly functional. The our Surface along with its plethora of features creates perfect spaces equipped with lifestyle-enhancing features and aesthetics.

TECHNICAL FEATURES



Water Resistant Surface



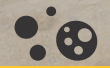
Resistant to UV Rays



Hygienic and Suitable for Contact with Food



Impact Resistant Surface



Resistant to Mould, Mildew, and Fungus



Stain Resistant Surface



Scratch and Abrasion Resistant



Resistant to Fire and Heat



Resistant to Chemicals, Acids, Bases, and Solvents



Frost Resistant Surface



Easy to Clean Surface



Flatness and Stability Over Time



A SPECTRUM OF COLOURS

Discover classic elegance in your spaces with the timeless colours, designs, and splendor of exceptional our Surfaces which exhibit a remarkable semblance to quintessential quality and style to design spaces a class apart and the epitome of exceptional refinement.

The our Surface offers a spectrum of colours with its five gracious iterations of colour bodies. These colours when brought together with diverse designs form tiles that create a signature style for urban interiors.

WHITE BODY

OCEAN WHITE



STATUARIO NATURAL



STATUARIO MAGIA



MICHEL STATUARIO

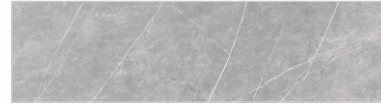


GOLDEN STATUARIO



GREY BODY

PIETRA GREY



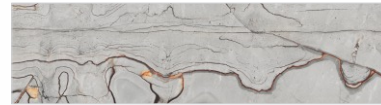
BASALTO GRIS



GRIGO VENEZIA



EXOTIC STONE

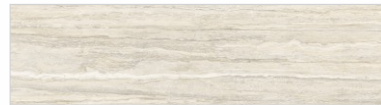


TRAVERTINO GRIS

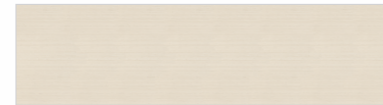


IVORY BODY

TRAVERTINO CREMA



PINE WOOD



GIALLO SIENA

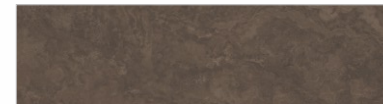


BROWN BODY

DAZZLE BROWN



CORTEN BROWN



ILLUSION BRONZE



MAXI WOOD



BLACK BODY

AVOCATO



NOIR NERO



NOTCH NERO





Kitchen Counter Top &
Back Spalsh
Statuario Natural

Matt Surface

15mm Thickness



OCEAN WHITE

Sizes **800x3000mm**
Surface **Matt**
Random **2**
Thickness **15mm**
Type **White Body**



Matt Surface

15mm Thickness



STATUARIO NATURAL

Sizes **800x3000mm**
Surface **Matt**
Random **3**
Thickness **15mm**
Type **White Body**





Matt Surface

15mm Thickness

Basin
Statuario Magia
Wall & Floor
Statuario Magia

Basin Statuario Magia
Wall & Floor Statuario Magia



STATUARIO MAGIA

Sizes **800x3000mm**
Surface **Matt**
Random **3**
Thickness **15mm**
Type **White Body**



Matt Surface

15mm Thickness



Staircase
Michel Statuario
Wall & Floor
Notch Nero

Matt Surface

15mm Thickness



MICHEL STATUARIO

Sizes **800x3000mm**
Surface **Matt**
Random **2**
Thickness **15mm**
Type **White Body**



Matt Surface

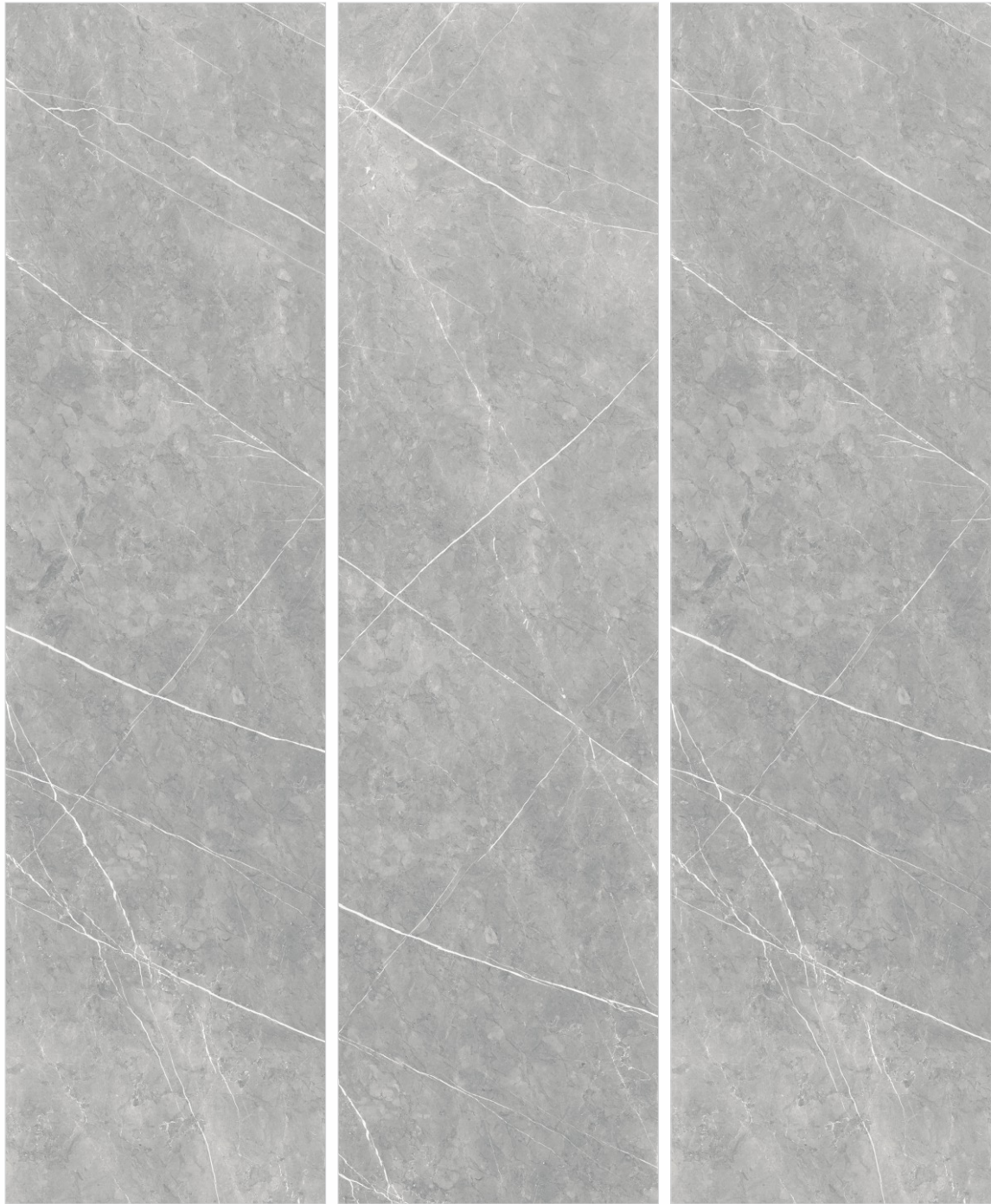
15mm Thickness



GOLDEN STATUARIO

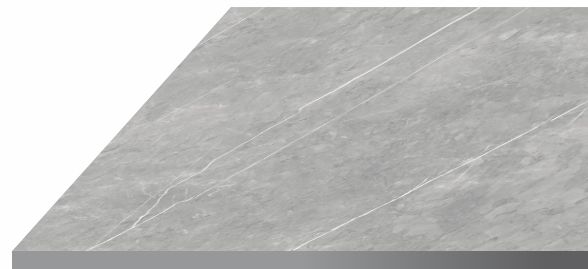
Sizes **800x3000mm**
Surface **Matt**
Random **2**
Thickness **15mm**
Type **White Body**





PIETRA GREY

Sizes **800x3000mm**
Surface **Matt**
Random **2**
Thickness **15mm**
Type **Grey Body**



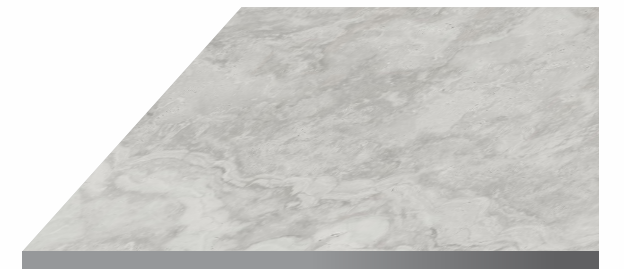
Matt Surface

15mm Thickness



BASALTO GRIS

Sizes **800x3000mm**
Surface **Matt**
Random **2**
Thickness **15mm**
Type **Grey Body**





GRIGO VENEZIA

Sizes **800x3000mm**
Surface **Matt**
Random **2**
Thickness **15mm**
Type **Grey Body**



Matt Surface

15mm Thickness



TRAVERTINO GRIS

Sizes **800x3000mm**
Surface **Matt**
Random **3**
Thickness **15mm**
Type **Grey Body**



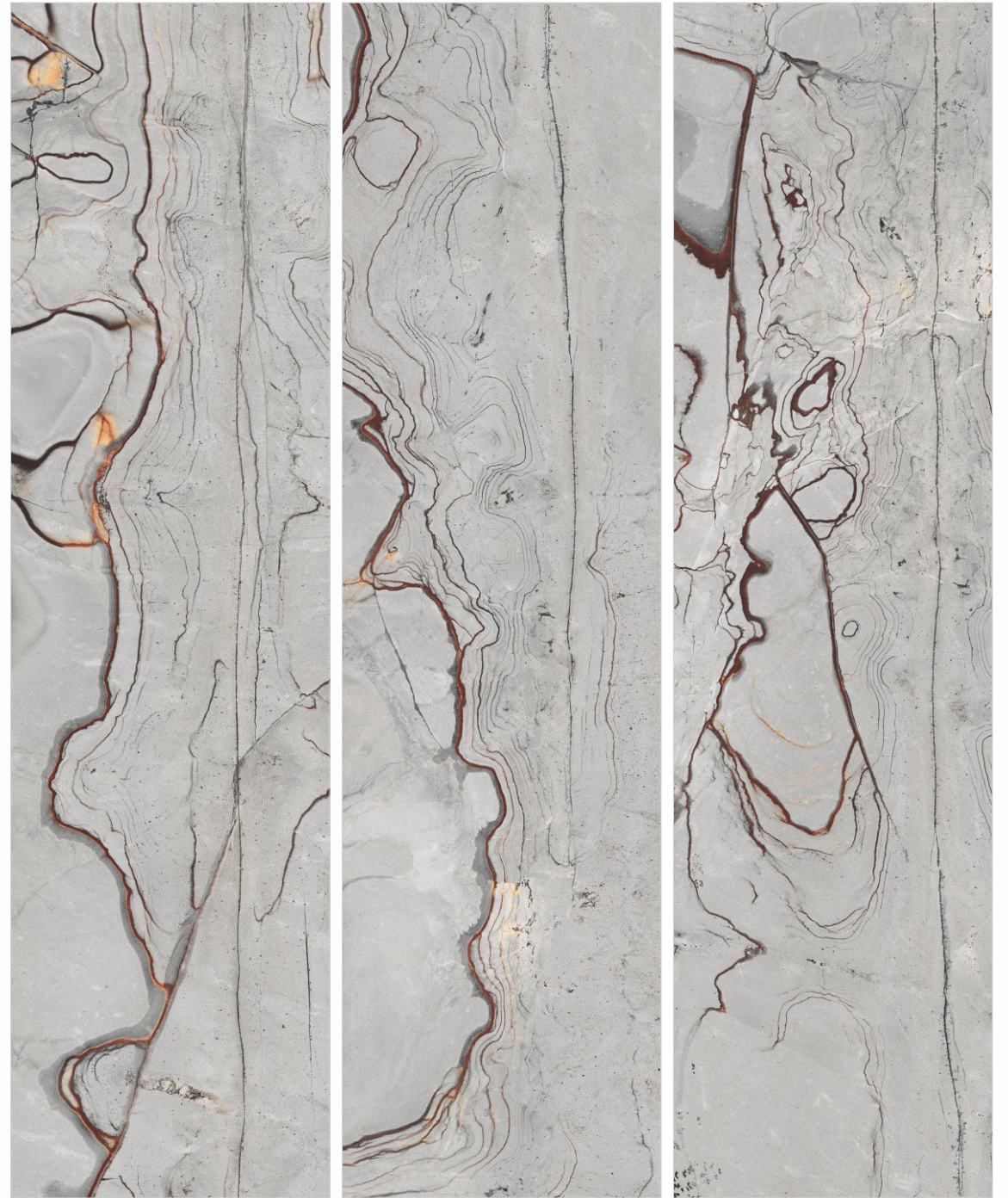


Kitchen Counter Top
Exotic Stone



Matt Surface

15mm Thickness



EXOTIC STONE

Sizes **800x3000mm**
Surface **Matt**
Random **3**
Thickness **15mm**
Type **Grey Body**





Kitchen Counter Top &
Back Spalsh
Travertino Crema



High Gloss Surface

15mm Thickness



TRAVERTINO CREMA

Sizes **800x3000mm**
Surface **Matt**
Random **3**
Thickness **15mm**
Type **Ivory Body**



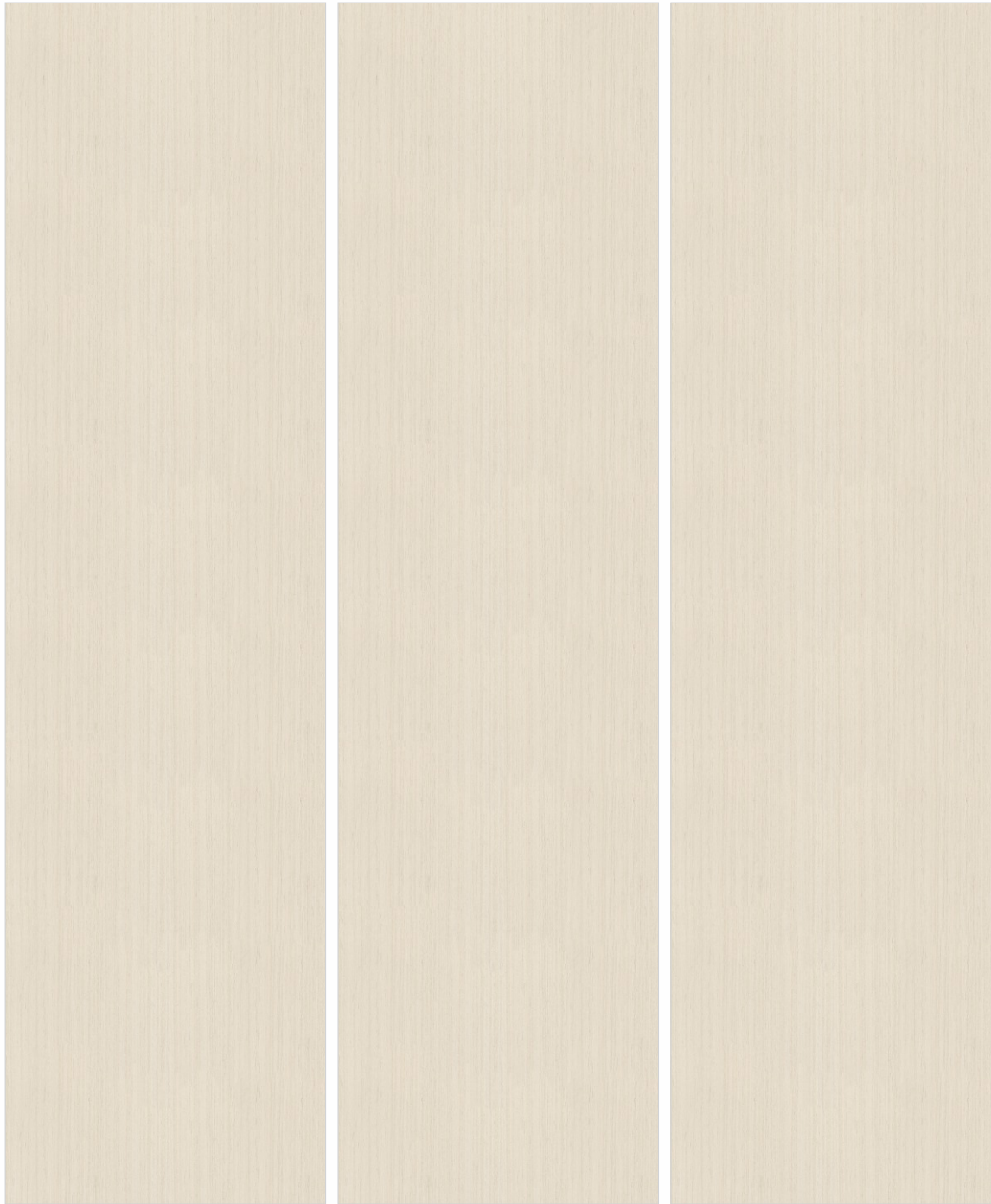


Wall Pine Wood
Floor Pine Wood

Matt Surface

15mm Thickness

38-39



PINE WOOD

Sizes **800x3000mm**
Surface **Matt**
Thickness **15mm**
Type **Ivory Body**



Matt Surface

15mm Thickness



GIALLO SIENA

Sizes **800x3000mm**
Surface **Matt**
Random **2**
Thickness **15mm**
Type **Ivory Body**

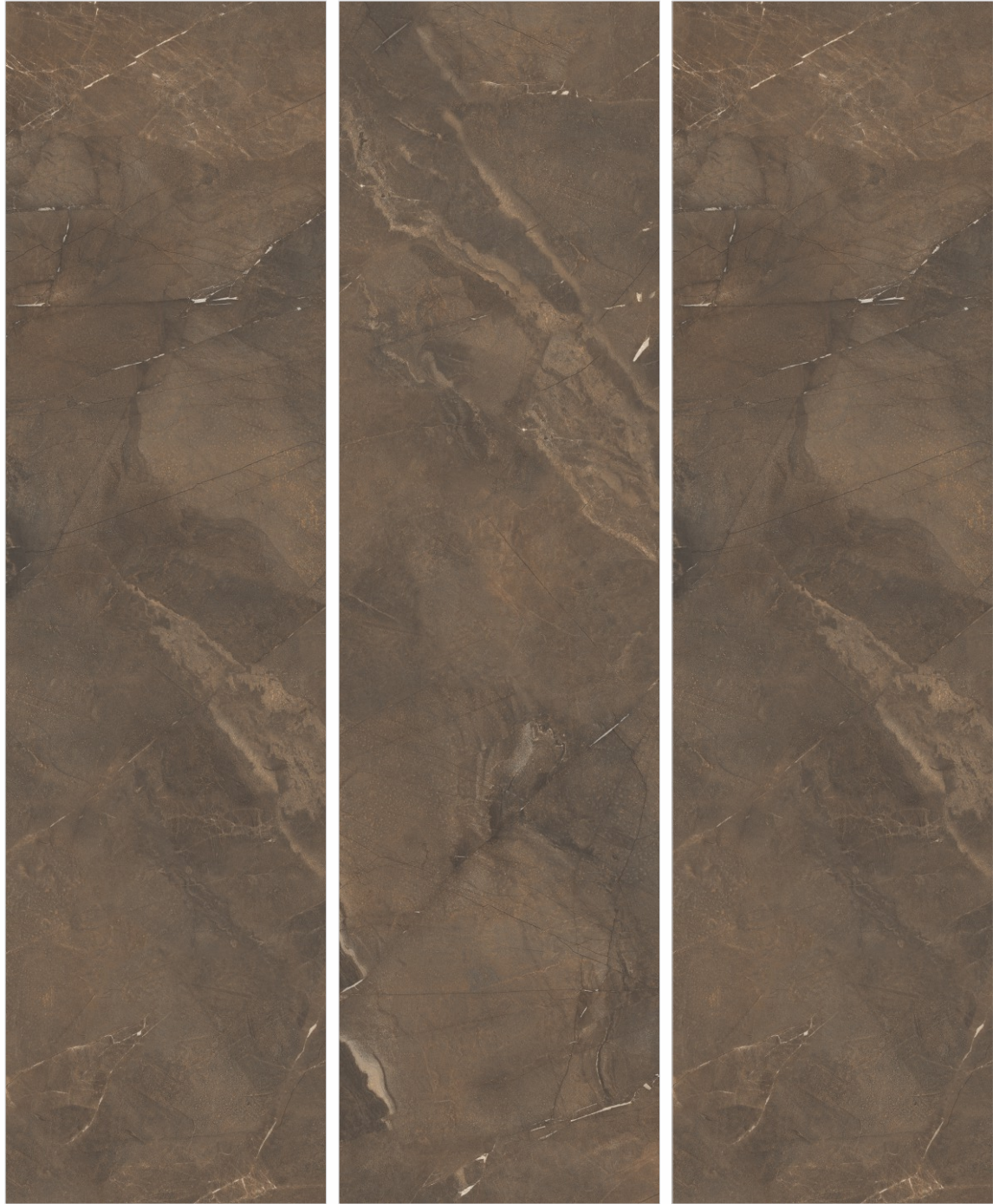




Kitchen Counter Top &
Back Spalsh
Dazzle Brown

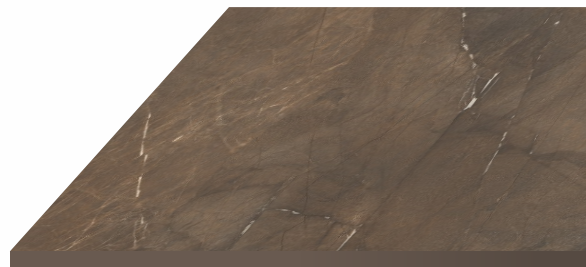
Matt Surface

15mm Thickness



DAZZLE BROWN

Sizes **800x3000mm**
Surface **Matt**
Random **2**
Thickness **15mm**
Type **Brown Body**



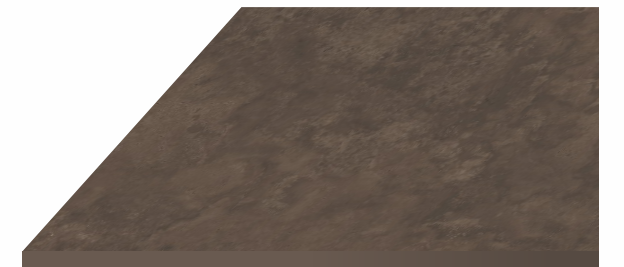
Matt Surface

15mm Thickness



CORTEN BROWN

Sizes **800x3000mm**
Surface **Matt**
Random **2**
Thickness **15mm**
Type **Brown Body**

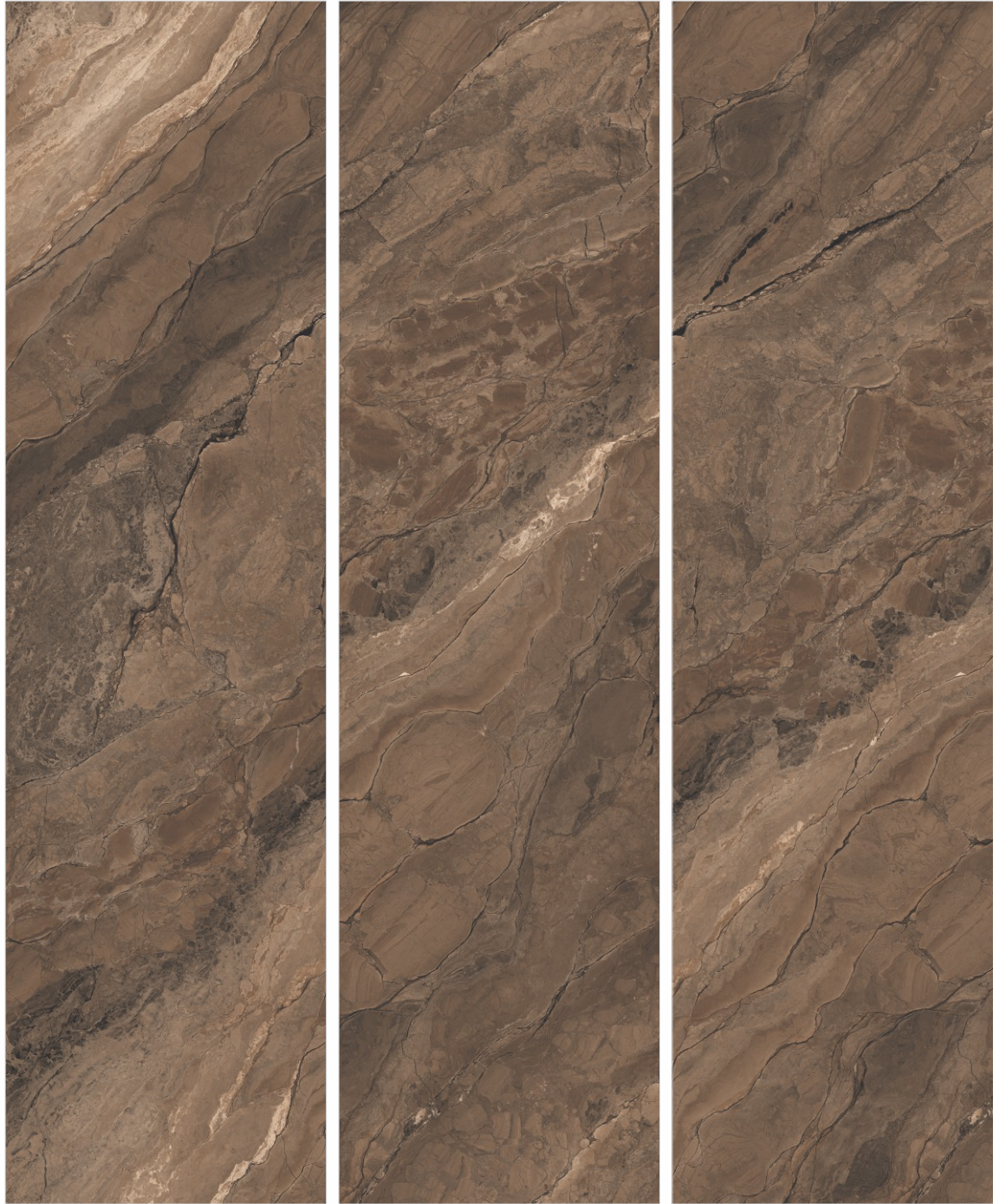




Bathtub
Maxi Wood

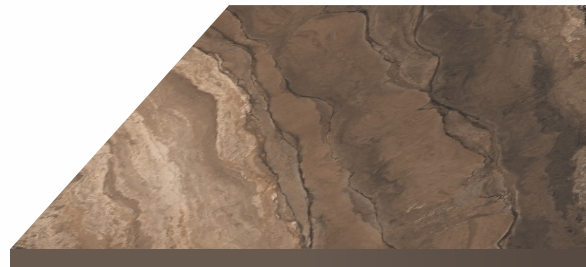
Matt Surface

15mm Thickness



ILLUSION BRONZE

Sizes **800x3000mm**
Surface **Matt**
Random **3**
Thickness **15mm**
Type **Brown Body**



Matt Surface

15mm Thickness



MAXI WOOD

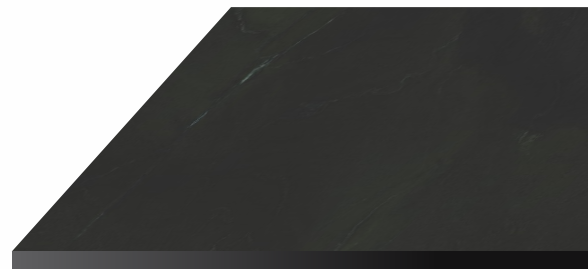
Sizes **800x3000mm**
Surface **Matt**
Random **2**
Thickness **15mm**
Type **Brown Body**





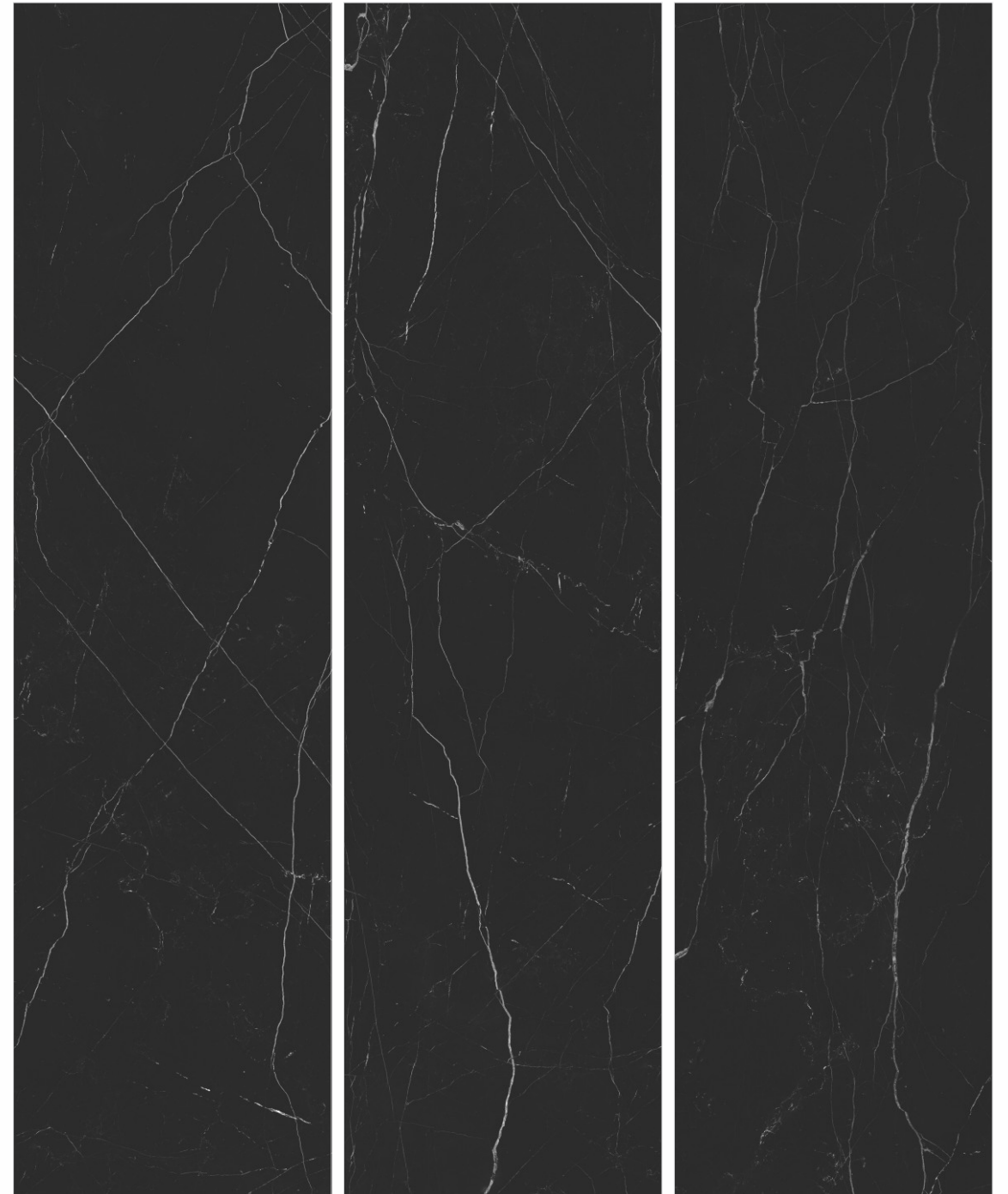
AVOCATO

Sizes **800x3000mm**
Surface **Matt**
Random **2**
Thickness **15mm**
Type **Black Body**



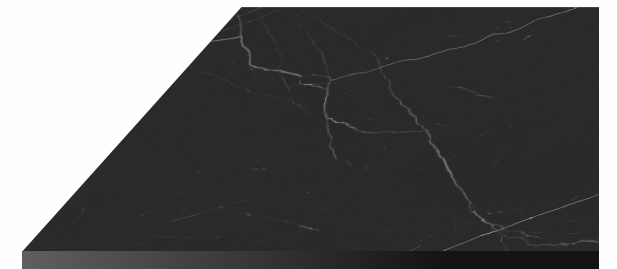
Matt Surface

15mm Thickness



NOIR NERO

Sizes **800x3000mm**
Surface **Matt**
Random **3**
Thickness **15mm**
Type **Black Body**





Matt Surface

15mm Thickness

Headboard
Notch Nero
Furnishing
Notch Nero



Headboard **Notch Nero**
Furnishing **Notch Nero**



Matt Surface

15mm Thickness



NOTCH NERO

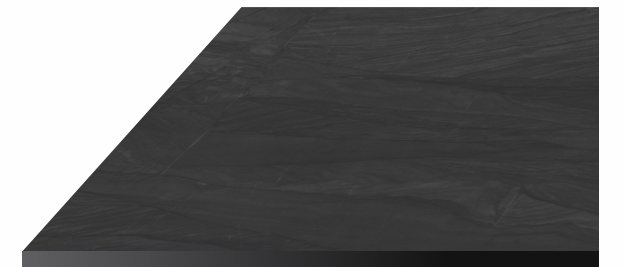
Sizes **800x3000mm**

Surface **Matt**

Random **2**

Thickness **15mm**

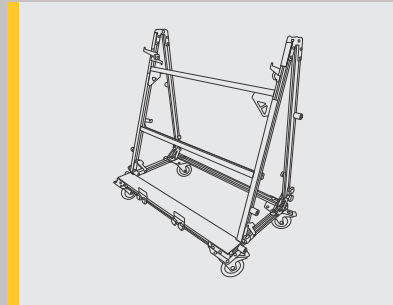
Type **Black Body**



Slab Handling

Tools suggested for handling

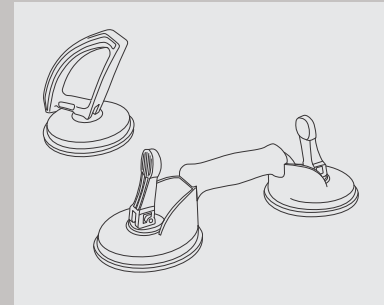
For handling the enormously sized slabs from Our, we recommend careful handling with the help of four handlers at the same time in case of the largest size and at least two handlers for the smaller sizes of the slabs.



Reinforced trolley



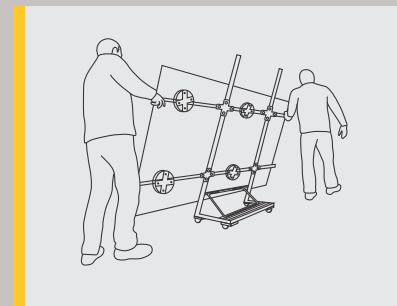
Parallel & transverse guides



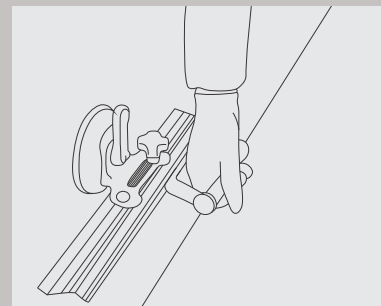
Single & Double suction cup

Handling instructions

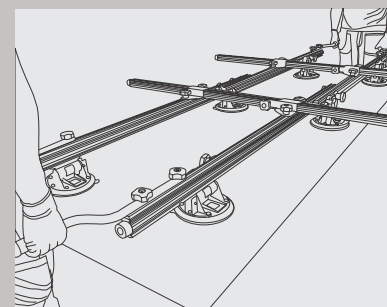
Our recommends the use of a kit of devices designed especially for the handling of large-size slabs.



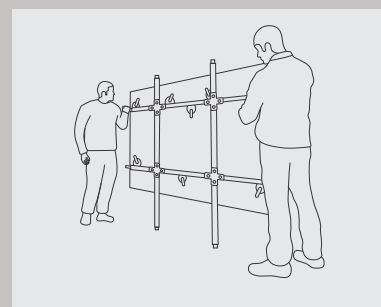
We recommend carrying out the handling job of the slabs with four handlers at the same time.



Ensure proper suction with a vacuum between the device and the slab and use a single device/suction cup for a maximum length of up to 150cms.



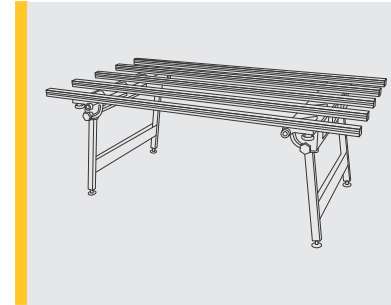
To lift the slabs use sucker cups after cleaning the slab and cups with a damp sponge. Make sure the device also has suckers that run along with the guides and adhere to the slab.



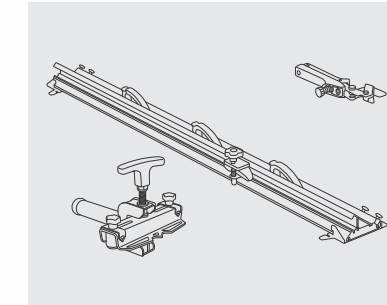
To lift the slab use guides from the long sides of the slab and lift/hang it vertically to the handles of the trolley frame. Use appropriate size reinforced trolley for various sizes of slabs.

Slab Cutting & Drilling

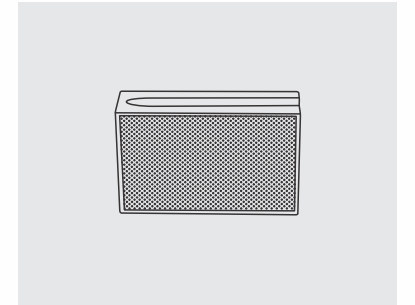
Tools suggested for cutting and drilling



Workbench with aluminum profiles

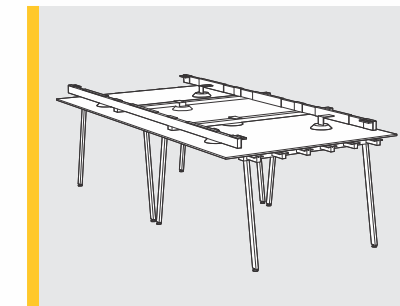


Cutting unit

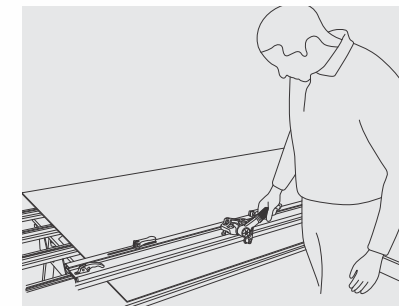


Diamond polishing pads

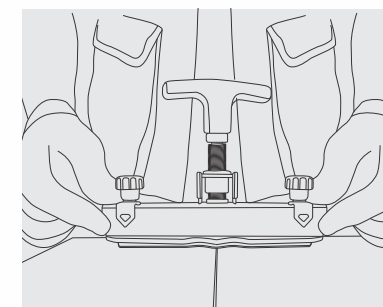
Manual cutting instructions



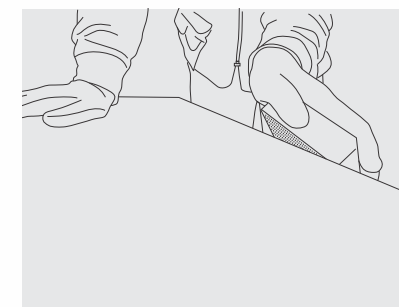
Lay the slab on a flat surface and preferably on a workbench with aluminum profiles. Make sure the surface is stable for both cutting and drilling.



Make markings on the slab according to the desired cutting and drilling need.



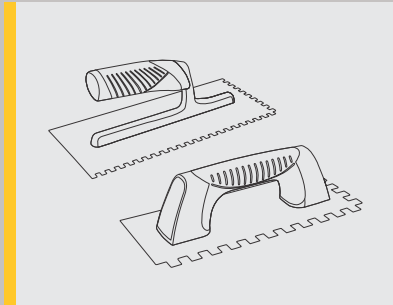
After scoring the length and making the cut, move the slab out of the workbench till the incision line and split from both sides using cutting-off pliers.



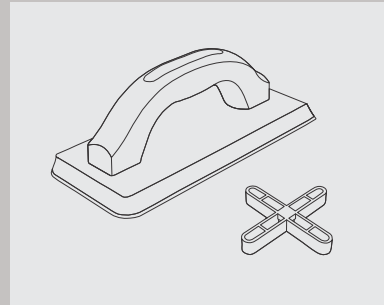
Smooth the edges of the length cut with a diamond polishing pad.

Slab Laying

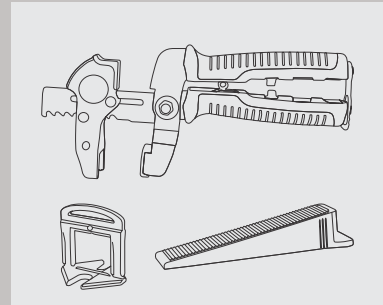
Tools suggested for Laying



3mm & 10mm trowel



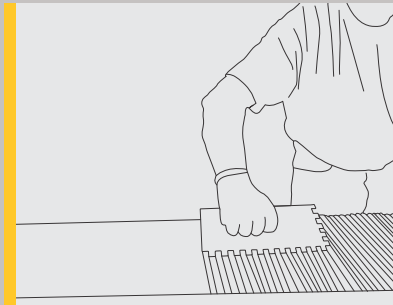
Rubber trowel & Spacers



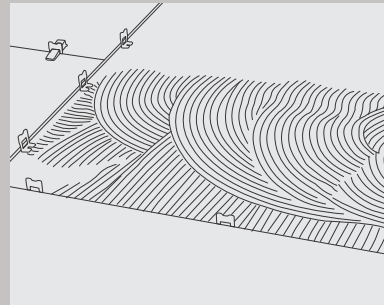
Device for plate's pulling over and Leveling wedges & clips

Slab Laying Instructions

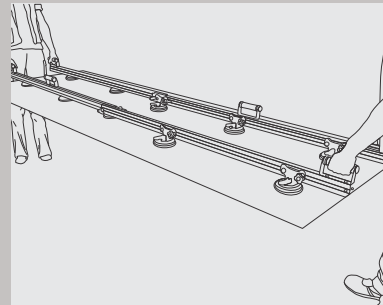
Check the laying substrate. Make sure it is clean, mature, and homogeneous with no cracks.



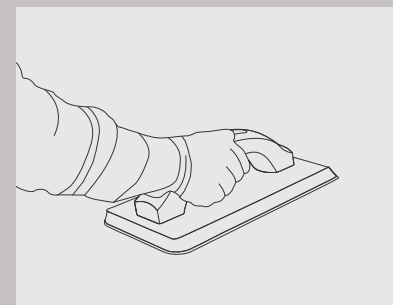
Apply adhesive onto the back of the slab with a 3mm trowel in one direction only.



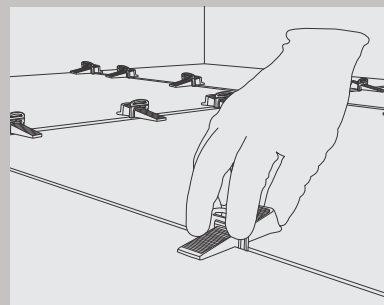
Apply adhesive onto the floor substrate at the same time while applying on the slab with a 15mm U-notch or 19mm V-notch trowel in the same direction as the slabs.



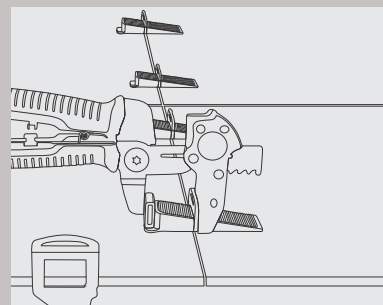
Position the slab on the adhesive bed with a sucker frame with adjustment of a minimum of 3mm joint.



Tap the slab from the center to the edges with a rubber trowel to expel air. Make sure air is expelled and there is no bubble between the slab and the substrate.

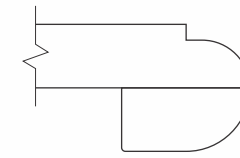


Complete the laying of the slab with a suitable sealant while keeping a 3mm joint through spacers. The special device of pulling over the slabs can be used for easy laying and spacing.

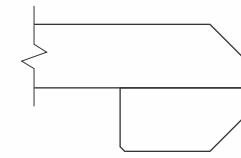


Level the wedges at each linear meter of the slab.

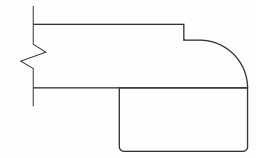
Slab Edge Possibilities



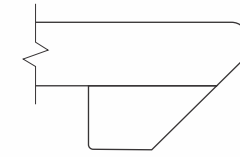
1-1/2" Dupont Bullnose



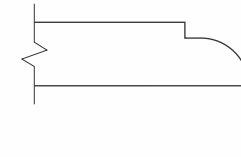
1-1/2" Pencile Edge



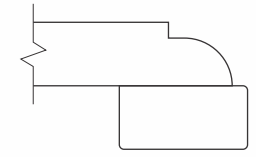
1-1/2" Dupont Square



1-1/2" Revers Bevel



3/4" Dupont Demi



1-1/2" Dupont Step Square

Cleaning & Maintenance

High-quality raw materials, rigorous production parameters, and world-class technology at our make the exclusive offering nonporous and thus no dust or deposited waste penetrates the surface.

The no-maintenance surfaces require only a damp cloth for cleaning.

Routine and recurring cleaning spotlights the aesthetic features of the surfaces and keeps the surfaces shining.

For cleaning contamination and stains caused by some common food and other material follow the table below:

TYPE OF STAIN	CHEMICAL PRODUCT	EXAMPLE
Grease	Alkaline - Solvent	Detergent
Oil	Solvent	Ammonia, Baking Soda
Ink	Oxidant - Solvent	Alcohol, Liquid Bleach, Nail Paint Remover
Rust	Acid	Hydrochloric Acid, Vinegar, Red Harpic
Lime	Acid	Descaling Reagent, Hydrochloric Acid
Cement	Acid	Hydrochloric Acid
Wine	Alkaline	Ammonia, Liquid Bleach
Coffee	Alkaline - Solvent	Ammonia, Liquid Bleach
Rubber	Solvent	Alcohol, Thinner
Plaster	Acid	Hydrochloric Acid
Candle Wax	Solvent	Alcohol, Thinner
Iodine	Oxidant	Liquid Bleach
Blood	Oxidant	Liquid Bleach
Ice Cream	Alkaline	Liquid Bleach

Note: It is recommended that any kind of stain needs to get clean immediately / as soon as possible.

Technical Specification

CHARACTERISTIC	STANDARD AS PER ISO13006:2018/ EN14411 Gr.Bla	STANDARD AS PER IS 15622:2017 Gr.Bla	MEAN VALUE OF Our	METHOD OF TESTING
Regulatory Properties				
Deviation in Length and Width	±0.30 % (±1.00 mm)	±0.10 %	± 0.10 %	ISO 10545-2/IS 13630-1
Deviation in Thickness	±5.0 % (± 0.50 mm)	±5.0 %	± 5.0 %	ISO 10545-2/IS 13630-1
Straightness in Side	±0.30 % (± 0.80 mm)	±0.10 %	± 0.10 %	ISO 10545-2/IS 13630-1
Rectangularity	±0.30 % (±1.50 mm)	±0.10%	± 0.10 %	ISO 10545-2/IS 13630-1
Surface Flatness Central Curvature	±0.40 % (± 1.80 mm)	±0.50 %	± 0.20 %	ISO 10545-2/IS 13630-1
Surface Flatness Edge Curvature	±0.40 % (± 1.80 mm)	±0.50 %	± 0.20 %	ISO 10545-2/IS 13630-1
Surface Flatness Warpage	±0.40 % (± 1.80 mm)	±0.50 %	± 0.10 %	ISO 10545-2/IS 13630-1
Surface Quality	>95% defects free	>95% defects free	>95% defects free	ISO 10545-2/IS 13630-1
Small Color Difference (For Plain Colour)	ΔE <1.00	N.A.	ΔE <0.80	ISO 10545-16
Glossiness (Polished)	As per Manufacturer	As per Manufacturer	≥ 90	Gloss Meter 60°
Glossiness (Satin)	As per Manufacturer	As per Manufacture	7 ≤ Gloss Value ≤ 25	Gloss Meter 60°
Structural Properties				
Water Absorption	≤0.50 %	≤0.080 %	≤0.080 %	ISO 10545-3/IS 13630-2
Bulk Density	As per Manufacturer	Min 2.20 g/cc	> 2.28 gm/cc	ISO 10545-3/IS 13630-2
Massive Mechanical Properties				
Modulus of Rupture	Min. 35.0 N/mm ²	Min. 35.0 N/mm ²	Min. 40.0 N/mm ²	SO 10545-4/IS 13630-6
Breaking Strength Thickness ≥7.5 mm	Min 1300.0 N	Min 1300.0 N	Min 6000.0 N	ISO 10545-4/IS 13630-6
Surface Mechanical Properties				
MOH'S Hardness #	As per Manufacturer	Min. 5	Polished Min 4**/ Satin & Posh Min 6	BS EN 15771/IS 13630-13
Surface Abrasion Resistance #	As per Manufacturer	Min. Class II	Polished Min II**/ Satin & Posh Min III	ISO 10545-7/IS 13630-11
Thermal Hygrometric Properties				
Moisture Expansion	Max 0.06% (0.6 mm/m)	Max 0.02 mm/m	Max 0.02 mm/m	ISO 10545-10/IS 13630-3
Thermal Expansion(COE) at 100°C	As per Manufacturer	Max. 6.0 x 10-6	Max. 6.0 x 10-6	ISO 10545-8/IS 13630-4
Thermal Shock Resistance	Min 10 Cycle	Min 10 Cycle	Min 10 Cycle	ISO 10545-9/IS 13630-5
Impact Resistance(COR) #	Min. 0.55	Min 0.55	Min 0.55	ISO 10545-5/IS 13630-14
Frost Resistance	As per Manufacturer	As per Manufacturer	Frost Proof	ISO 10545-12/IS 13630-10
Crazing Resistance at 7.5 bar	4 Cycle	4 Cycle	4 Cycle	ISO 10545-11/IS 13630-9
Chemical Properties				
Resistance to Staining Glazed	Min. Class 3	Min Class 1	Min. Class 3/Min. Class 1	ISO 10545-14/IS 13630-8
Resistance to Household Chemicals & Swimming Pool Salts Glazed	Min Class GB	Min Class AA	Min Class GB/Min Class AA	ISO 10545-13/IS 13630-8
Resistance to Low Concentrate Acid and Alkalis Glazed	As per Manufacturer	As per Manufacturer	Min Class GLB***/ Min Class A***	ISO-10545-13/IS 13630-8
Resistance to High Concentrate Acid and Alkalis Glazed	As per Manufacturer	As per Manufacturer	Min Class GHB***/ Min Class A***	ISO-10545-13/IS 13630-8
Safety Properties				
Skid Resistance - (DCOF-WET PENDULUM)##	As per Manufacturer	As per Manufacturer	Glossy ≥P0,Satin,Posh ≥P1	BS 7976-2
Slip Resistance -Satin/Posh (DCOF- R Value)##	As per Manufacturer	As per Manufacturer	R9 to R10	DIN 51130
Lead and Cadmium release	As per Manufacturer	N.A.	Does not yield Pb &Cd	ISO-10545-15

Packing Detail

SIZE	THICKNESS	PCS/BOX	AREA/BOX	BOX/WT.
800x3000mm	15mm	1 pc	2.40 mt ²	84 kg



LEADING WITH INNOVATIONS

ADICON CERAMICA LLP

8-A N.H., Kandla Highway Road,
Gungan Village, Morbi - 363 642,
Gujarat, INDIA

Cell: +91 90161 11944, +91 90161 11844

E-mail: info@adiconceramica.co.in

www.adiconceramica.co.in